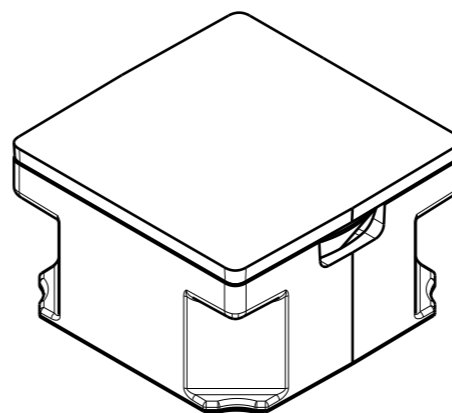
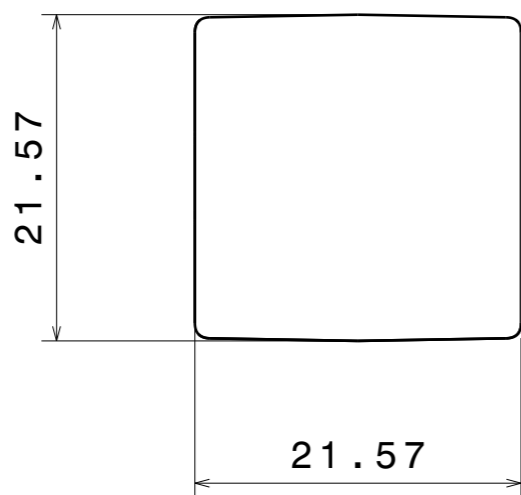


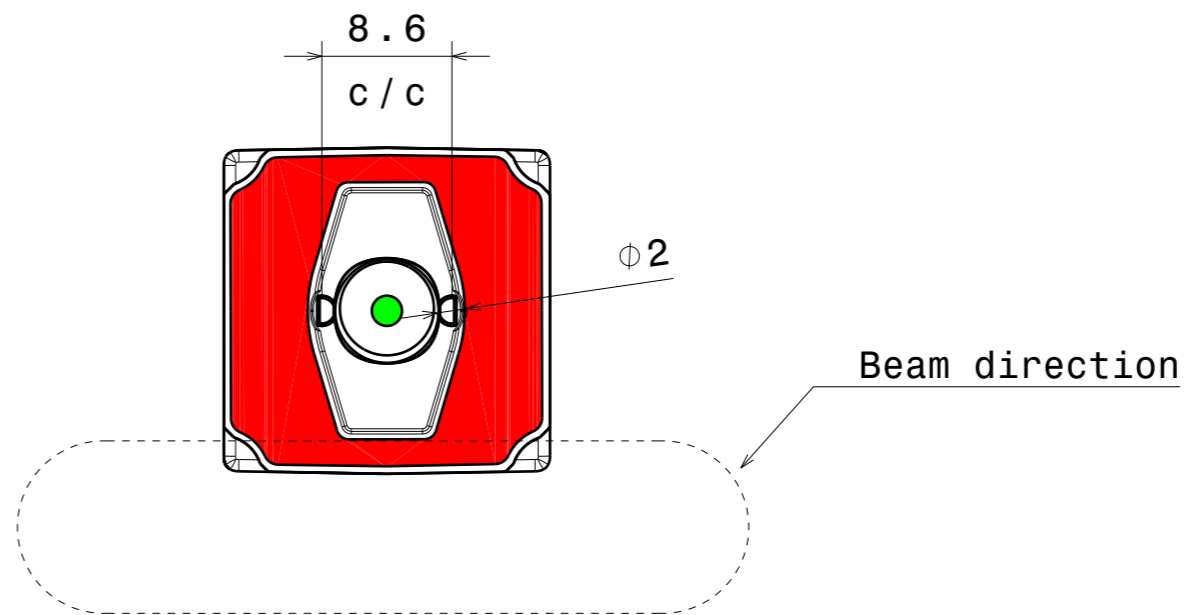
Front view



Isometric view  
Scale: 2:1



Top view



Bottom view

CA13307\_LAURA-0-WAS-PIN  
**COMPONENTS**

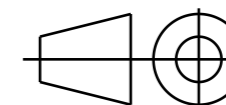
INDEX	PART	TYPE	MATERIAL	COLOR / COATING
1	C12725_LAURA-0-WAS		PMMA	
2	C11835_LAURA-PIN-XP-HLD-WHT		PC	white
3	C10278_ROSE-TAPE		Tape	

**MECHANICAL DRAWING**

PRODUCT  
**LAURA**

Plastic moulding general tolerances according to DIN 16901-130 and applies if not otherwise shown in the drawing.  
Silicone moulding general tolerances according to ISO 3302-1 Class M3 and applies if not otherwise shown in the drawing.

FIRST ANGLE PROJECTION:



**LEDiL®**

This drawing is the property of LEDiL Oy. It may not be copied or otherwise distributed without prior written permission from LEDiL Oy.

SCALE 2:1

WEIGHT 4,6 g

A3 SHEET 1/1

**Notes**

	PCB or heatsink level.
	LED location
	Ensure LED fitting from a product specific 3D model available from <a href="http://www.ledil.com">www.ledil.com</a>
	For more details about installation please see LEDiL Installation Guide on <a href="http://www.ledil.com">www.ledil.com</a>